



Chief Executive's Management Report

Fingal County Council Meeting

Monday, October 8, 2018

Item No. 19

CHIEF EXECUTIVE'S MANAGEMENT REPORT – OCTOBER 2018

Contents

Economic, Enterprise and Tourism Development

Tourism Development (p.2)

Events
Heritage Properties

Local Enterprise Development (p.3)

Economic Development (p.5)

Balbriggan Strategy
LEADER Programme
Local Community Development Committee
Enterprise Centres

Operations (OPS) (p.7)

European Mobility Week
Storm Ali Damage and Repair
Traffic Management
Street Lighting
Fleet Management & Plant Hire Unit
Work Programme Images

Planning and Strategic Infrastructure (PSI)

Planning Applications (p.11)

Planning Decisions
Building Control
Portrane Coastal Erosion Measures
Portrane Dangerous Structure Rathbeale Road upgrade
Barnhill LAP
URDF and RRDF
Donabate Distributor Road
Building Control/Taking in Charge
Taking in Charge of Legacy Developments
Development Management/Forward Planning

Housing and Community (H&C)

Housing (p.14)

Joint Oireachtas Committee
Pillars I-V
Housing Supports

Community (p.18)

Arts (p.20)

Sports (p.21)

Libraries (p.22)

Environment and Water Services (EWS)

Environment (p.25)

Cleaner Communities
Green Schools
Balleally Landfill Projects
Litter Management
Dublin Airport & Fingal Draft Noise Plans
CCPC Report

Water Services (p.26)

Operations

Corporate Affairs and Governance (CAG)

Corporate Affairs (p.27)

Presidential Candidates visit
Building of the Year Awards
Fingal Raven – Autumn 2018
Smart Dublin SBIR Launch
Lá na Gaeilge

Finance (p.29)

Financial Reports

Appendices

ECONOMIC, ENTERPRISE AND TOURISM DEVELOPMENT (EETD)

| Contents | |
|------------------------------|---------------------------------------|
| Tourism Development | Economic Development |
| Events | Balbriggan Socio-Economic Strategy |
| Heritage Properties | LEADER Programme |
| Local Enterprise Development | Local Community Development Committee |
| | Enterprise Centres |

TOURISM DEVELOPMENT

Orientation Strategy

EETD are working with Fáilte Ireland towards developing a Dublin Visitor Orientation Strategy, which is currently at its concept design and planning phase. Stakeholders include the National Transport Agency, the Dublin Airport Authority and the four Dublin Local Authorities.

Performance Metrics

The number of visitors (domestic/overseas) to Fingal, and the value of tourism spending by these visitors, continues to be tracked. Performance indicators are displayed in Appendix 2.

EVENTS

Fingal Fleadh

The Fingal Fleadh was held from 6th – 9th September. The festival was a big success, with thousands attending free events in Swords and Blanchardstown. Among the highlights of the weekend were performances by Lumiere, Kíla, John Spillane, Danú, The Dixie Micks and The Whileaways.

Other Events

Fingal County Council also supported the following events in September:

- Naul Annual Flower Show
- Great Dublin Bike Ride
- Culture night at Swords Castle

Upcoming events in October:

Halloween

This year, the Fingal Festival of Fire will take place on 31st October at the following three locations:

- The Harbour, Balbriggan
- Millennium Park, Blanchardstown
- Town Park, Swords

There will be pre-entertainment at each event followed by a fireworks display.



HERITAGE PROPERTIES

Malahide Casino

A presentation on the proposed design and interpretation of the Cyril Fry Model Railway, and a site visit to the Casino, were organised for the Trustees of Michael Gaffney and the Malahide/Howth Area Committee members on the 2nd of October.



Malahide Casino

Swords Castle

Kelbuild has been awarded the contract for the Swords Castle enabling and conservation works (phase 2). This phase of the works will allow for public access to the wall walk, consolidation of the East tower and electrical and site improvement works. It is expected that the works will be completed in Q1 2019.



Swords Castle

Newbridge House & Farm

Delap and Waller has been awarded the contract for professional engineering services (mechanical and electrical) for upgrading works in Newbridge House and Farm.



Newbridge House

Shackleton Mills

The final report on the feasibility study for the re-development of Shackleton Mills was presented at the September meeting of the EETD Strategic Policy Committee (SPC).

LOCAL ENTERPRISE DEVELOPMENT

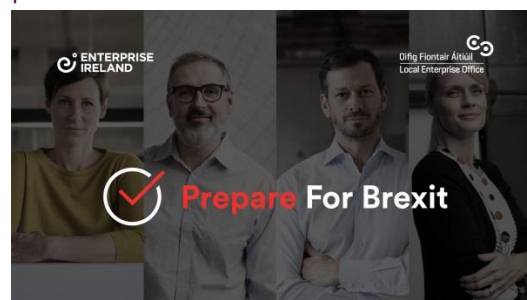
Local Enterprise Office

Some of the Local Enterprise Office (LEO) highlights from **September 2018** are as follows:



Preparing for Brexit

The United Kingdom's impending departure from the European Union is causing uncertainty amongst the local business community with regard to how Brexit may affect them. LEO Fingal is working to provide information and assistance to small businesses based in Fingal that are likely to be impacted. The LEO are proactively contacting clients to engage in one-to-one sessions with a Brexit mentor, who will review their case and establish the extent of their exposure and preparedness for Brexit. Support services from various state agencies are being promoted to businesses identified as 'at risk'.



LEO Fingal is proactively liaising with our clients to get them Brexit ready

Q3 Grant Approvals

The third quarterly call for measure one funding yielded 10 applications which totalled €277,550. These were approved by the Evaluation Approvals Committee on the 5th of September. To date in 2018, €710,550 has been approved to 25 businesses. LEO Fingal will host a networking event and photo-call for clients who were successful in receiving funding during Quarter 3 2018 at an event in the Atrium on the 8th October. At the event, clients will be presented with letters of offer by the Mayor and Chief Executive.

Fingal Food Strategy 2019 – 2021

The Fingal Food Strategy was approved by the EETD SPC on the 18th September 2018. A launch and photoshoot will take place in Newbridge House, Donabate on the 15th of October. A business networking event will be hosted by Dublin Food Chain following the launch.

Student Enterprise Programme 2018/2019

The Fingal Student Enterprise Programme 2018/2019 was launched in Swords Castle on Wednesday 26th September 2018. 27 secondary schools, comprising of over 2,000 students across Fingal, have already signed up to participate in this year's programme. Students will develop their own businesses, researching, resourcing, and trading services and products, with the guidance of business mentors.



Launch this year's Student Enterprise Awards

Trading Online Vouchers

This programme is funded by Department of Communications, Climate Action and Environment, under the National Digital Strategy, to support local and established small businesses to enhance their online offering. Funding of €54,670 has been approved to Fingal companies under the scheme to date this year. A further pre-application workshop held in the Riasc Centre, Swords on the 7th September yielded eleven applications, and these are currently being evaluated.



Trading Online Voucher pre-application workshop

Business Development Workshops

In September, six business development workshops were delivered to 64 participants. In total, 390 clients have attended 39 workshops to date.

Start Your Own Business Programme

Nine people completed a LEO Fingal Start Your Own Business (SYOB) course in September. A further SYOB course commenced in September, bringing the total number of participants on the course to date in 2018 to 129 (11 courses).

Plato

Plato is an advanced 18 month management development programme run by the four LEOs in the Dublin region. There are currently two programmes underway, with 40 participants.

LEAN

The LEAN programme is designed to enable small businesses to develop substantial improvements in productivity and profitability through the application of proven LEAN principles. A new LEAN programme commenced on the 5th September with 12 participants (five Fingal).

Business Clinics

Clinics are offered to individuals that wish to start up a new enterprise or expand their existing business. During September, eight clinics were undertaken, delivering expertise to 49 businesses in Fingal. This brings the cumulative figures for 2018 to date to 70 clinics and 521 attendees.

Mentoring

Individual mentoring assignments were approved for four new clients during September 2018. The total number of mentoring assignments approved in 2018 is 74.

National Women's Enterprise Day

Going "Local to Global", National Women's Enterprise Day (NWED) is an annual initiative of the LEOs, designed to inspire, activate and assist women across Ireland in running their own businesses. This year the four Dublin Regional LEOs are hosting the NWED event in the Citywest Hotel, Saggart on October 18th.

ECONOMIC DEVELOPMENT

Eastern Economic Corridor – C8

Fingal County Council is currently working closely with the following local authorities to develop an integrated economic strategy for the M1 Corridor:

- Dublin City Council
- Meath County Council
- Louth County Council
- Newry, Mourne & Down Council
- Armagh, Banbridge and Craigavon Council
- Lisburn & Castlereagh Council
- Belfast City Council

A workshop for staff working in the Economic Development area from all the local authorities above took place on the 19th September. Each local authority presented on the overarching themes of its economic strategy and discussion took place on how to align these. This will allow the local authorities to work together and deliver a combined benefit across the defined area.

Balbriggan Socio-Economic Strategy

An application was submitted to the Department of Housing, Planning and Local Government's (DHPLG), Urban Regeneration and Development Fund (URDF) to support the rejuvenation of Balbriggan. Bid applicants are expected to receive feedback in November.

The Balbriggan Leadership Group will meet on the 24th October. It is anticipated a comprehensive communications and consultation plan will be rolled out subsequently for the wider public to assist with the formulation of a socio-economic plan for Balbriggan.



LEADER Programme



The Fingal LEADER Programme continues to fund eligible projects in the administrative areas of Dun Laoghaire-Rathdown, South Dublin and Fingal County Councils. Ms. Eilish Harrington has been appointed as the new Chief Executive of the Fingal LEADER Company.

From February 2019, the auditing and checking of LEADER projects and proposals, known as article 48 checks, will move from POBAL to respective local authorities throughout the country.

Year to date:

21 LEADER approved projects

LEADER funding approved €831,198.17

Overall:

38 LEADER approved projects

LEADER funding approved €1,261,584.84

Local Community Development Committee

174 applications, totalling €1.1million, were received for the Community Enhancement Programme (CEP), which is funded by the Department of Rural and Community Development. The first round of grant funding will provide €150,521 to enhance the facilities available to communities in Fingal's disadvantaged areas. On the 23rd September the Department announced an additional amount of €326,668 for Fingal under this scheme. This amount will be distributed to previously unsuccessful eligible applicants following review by the funding sub-committee of the LCDC

Enterprise Centres

Occupancy rates at the Council's three enterprise centres at the end of August were:

| | |
|--------|------|
| Drinan | 94%, |
| BASE | 91% |
| Beat | 88% |

The three Enterprise Centres currently support 68 businesses and 340 jobs.

Fingal Skills Strategy

Fingal Skills Strategy was approved by the EETD SPC on the 18th September 2018. This strategy outlines how FCC proposes to lead a series of actions to address the short, medium and long term skills gap in the County. Extensive research and engagement was undertaken to develop a model which allows the current and future skills gap in the County to be identified and analysed. This Skills Strategy was developed by a task group made up of all stakeholders involved in this area including employers and educational institutions. This strategy will be launched in November 2108 with implementation to begin immediately afterwards.

OPERATIONS

Contents

European Mobility Week
Storm Ali Damage and Repair
Traffic Management
Street Lighting

Fleet Management & Plant Hire Unit
Work Programme Images

European Mobility Week 2018 (16th – 22nd September)

As part of European Mobility Week 2018, FCC hosted “World Car Free Day” in Malahide on Sunday 16th September. This consisted of closing the Diamond Area of Malahide from 10am – 2pm on the day and encouraging the citizens of, and visitors to, Malahide, to walk, cycle or scoot into town for free tea or coffee. Entertainment, which included street performers, balloon modellers, face-painters and music, was also provided.



Storm Ali Damage & Repair Works:

Storm Ali on 19th September caused extensive damage to the public lighting & ESB networks in the North County, with the coastal areas of Malahide, Skerries and Balbriggan the most severely hit. There were two storm knockdowns in Malahide Village and one on Old Yellow Walls Rd.

Following detailed inspections on site, the remaining 15 top bracket assemblies and lantern heads were removed in Malahide Village due to structural safety issues with their condition. All lights were replaced with LED light fittings on the same day., with works completed at 12.00am on the 20th of September. The lighting columns and condition of these removed bracket assemblies are currently under review and assessment.



Damage and repair works resulting from Storm Ali

In total during Storm Ali, Operations received more than 300 complaints, the majority of which related to fallen trees on roads, footpaths and open spaces.

The Operations staff worked into the early hours of Thursday 20th September to ensure all roads and pathways were safe for citizens.

TRAFFIC MANAGEMENT

Speed Limit Review

The 2018 Speed Limit Review for Fingal is ongoing at present. As part of this review, further 30 km/h Slow Zones will be provided throughout the county to help make housing estates safer for all. The 30kph signage has been delivered to the depots and will be installed by the depot crews.

Modular Speed Cushions

Complete Highway Maintenance has been awarded the contract for the supply and installation of modular speed cushions and associated road markings/lining for road safety

within the FCC area. These works are currently ongoing throughout the county.

The Traffic Signals Contract 2017

Contract work on 14 sites has now been completed by Traffic Solution Ltd. 12 sites are now commissioned and FCC are awaiting a connection date for two remaining sites in Holywell and at Rottapharm in Damestown.

Shown below are some of the pedestrian crossing sites commissioned which are now fully operational with the anti-skid surface installed.



Pedestrian crossing sites commissioned at Melville Road, Finglas and Cruisrath Road, Damastown, which are now fully operational

Cappagh / Heathfield traffic signals junction

Construction works commenced in June 2018 and progressed well with all of the civil works, anti skid surface, lining completed and slot cutting. FCC is awaiting the ESB connection to connect the power to the junction which will allow the traffic lights to be switched on.



2018 Signals Contract

Clonmel Enterprises has commenced works in Howth/Malahide Area on the 2018 signals contract and have completed works on two sites. There is 8 sites in total in the 2018 signals contract.

2018 Traffic Lining Contract

Macloclainn was awarded the contract and works commenced during September in the

Castleknock/Mudhuddart Area. These will be ongoing over the coming weeks, weather permitting.

2018 VAS Signage Contract

PWS was awarded the contract in early September and the locations of the signs have been marked out on the ground. The design of the signs has been agreed and installation of the poles will begin next week with the signs to follow. The contract will be complete by the end of November.



2018 Footpath Contract

The 2018 footpath contract is being carried out by the direct labour crew. This contract included the improvement of school warden crossings, the dishing of footpaths and minor realignment of some footpaths. The works in the Howth/Malahide area are now complete.

2018 Ramps Contract

The ramps were presented to the Area Committee Meetings in June and went on public display over the summer. The documents are currently being finalised and the contract will be put up on tenders during the first week in October.

STREET LIGHTING

Column Replacement

In excess of 40 column and LED Lantern replacement works were carried out in September, most as part of the planned column replacement program, with further as a result of recent storm damage.

- Valley View, Swords – 13 X 6m Columns and LED lantern replacements.
- Murrough Dist. Rd, Swords - five X 8m Columns and LED lantern replacements.
- Seagrang Park, Sutton adj Bayside Dart Station - ten X 6m Columns and LED lantern replacements.
- Castleknock Park, Castleknock – ten X 6m Column and LED lantern Replacements.

LED Upgrade Programme

The LED Upgrade Program continued in September with 313 LED Upgrade works carried out in the following locations:-

- Oakview, Castleknock - 48 X LED Upgrades.
- The Village, Porterstown - 16 X LED Upgrades.
- Littlepace Est - 61 X LED Upgrades.
- Rusheeney Est - 77 X LED Upgrades.
- Oaktree Est - 24 X LED Upgrades.
- Turvey Est - 34 X LED Upgrades.
- Ard Na Mara, Malahide - 53 X LED Upgrades.

FLEET MANAGEMENT & PLANT HIRE UNIT

Hires put in Place

There were 62 hires put in place during September 2018, engaging 21 suppliers. Included in these were:

- The hire of a ride-on-roller (1.5T Bomag), dumper and excavator for roads patching in the Balbriggan/Swords Area.
- The hire of portaloo, generators and van for Fingal Fleadh
- The hire of working platforms and vehicle mounted hoist (VMH) in response to Storm Ali
- Hire of 3 VMHs for Project EDWARD (European Day Without Road Deaths)

- Hire of pipe jetting machine and operators for the clearing of rubble and debris from the network at Clonee/Mulhuddart.
- The hire of a self-drive roller (Bomag) for ongoing capping works at the former landfill at, Baleally, Lusk (Rogerstown Park).

Purchase of New Vehicles

Two new JCB's were purchased for Operations Balbriggan as part of the fleet replacement programme.



Two New JCBs purchased

WORKS PROGRAMME IMAGES

Some images of the works undertaken by Operations during September 2018:



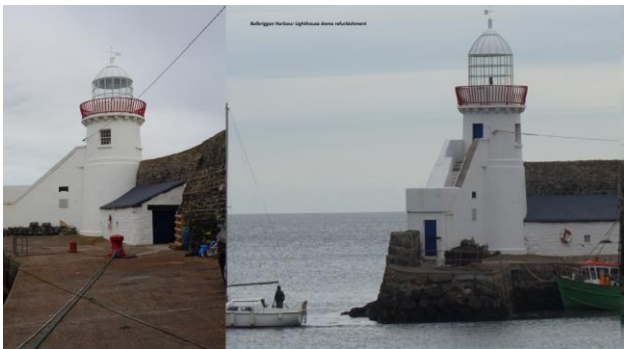
Works on a new footpath and road improvement scheme at Corrs Lane, Rush are nearing completion - before / after photographs



Phase 1 of the R127 Lusk to Blakes cross scheme



Installation of a ramp at Corduff Shops/Church for disabled access.



Balbriggan Harbour Lighthouse Dome Refurbishment



Balbriggan Beach Clean Summer 2018



Provision of additional seating in Laurel Lodge & Flail cutting hedge in Woodberry Estate Millennium Park

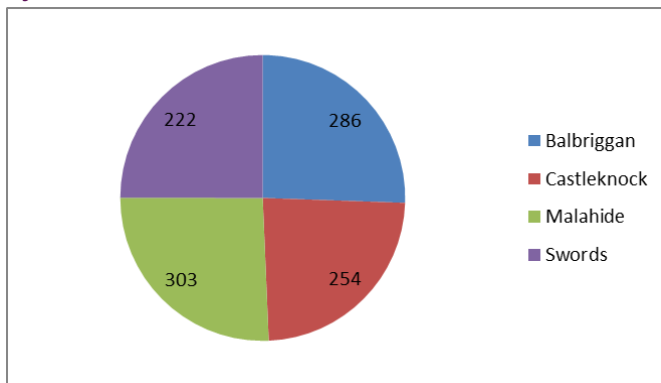
PLANNING AND STRATEGIC INFRASTRUCTURE (PSI)

| Contents | |
|-----------------------------------|---|
| Planning Applications | Barnhill LAP |
| Planning Decisions | URDF and RRDF |
| Building Control | Donabate Distributor Road |
| Portrane Coastal Erosion Measures | Building Control/Taking in Charge |
| Portrane Dangerous Structure | Taking in Charge of Legacy Developments |
| | Development Management/Forward Planning |

PLANNING ACTIVITY

Planning Applications

There have been 1,065 planning applications received to the end of September 2018. Of these, 106 were invalid, leaving a total of 959 valid applications. The volume of applications received by area is illustrated below:



Planning Decisions

A total of 894 planning decisions have been made to the end of September 2018. There have been 808 decisions to grant permission (90%) and 86 refusals of permission (10%). Of applications granted, 93 were in respect of single house construction, 413 for domestic extensions, 229 commercial/retail applications and 35 for housing developments (4 developments in excess of 100 or more housing units; 19 developments of 2-20 housing units).

Building Control

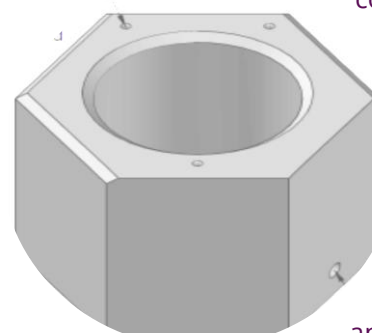
There have been 116 Disability Access Certificates submitted to the end of September 2018, 92 of

these were granted, 1 was invalidated and 4 are currently on time extension. There have been 183 Fire Safety Certificates submitted to the end of September 2018. Of these, 112 were granted, 3 were invalidated and 36 are currently on time extension.

Burrow Beach, Portrane - Interim Emergency Measures in response to Coastal Erosion

In response to serious coastal erosion problems at The Burrow, Portrane, FCC is implementing interim emergency measures to protect properties at risk. FCC has engaged contractors to install 370 "SeaBees", reinforced concrete units, along the beach in Portrane, above the Mean High Water Level. The "SeaBees" are designed to reduce the force of waves impacting the coastline during stormy conditions.

Members of the Fingal Coastal Liaison Group,



comprising local councillors and members of communities affected by coastal erosion, were briefed about the project and are fully

supportive of the planned interim measures. Installation will be carried out during October and November. Three lines of "SeaBee" units will be placed along a 270-metre stretch of beach and in front of the most vulnerable sections of sand dunes. The five-tonne reinforced concrete blocks,

which are approximately 1.4 metres high and 1.7 metres wide, will be filled with stone to prevent movement and for public safety reasons. The works will also see the removal of the existing sandbags along the beach and the Operations Department will carry out a clean-up of the beach in tandem with the installation. FCC has undertaken extensive engagement with the Office of Public Works (OPW) and the National Parks & Wildlife Service (NPWS) in relation to the emergency measures.



"The Burrow", Portrane, where coastal erosion protection measures will be implemented

Portrane Dangerous Structure

Following storms earlier in the year, FCC inspected a house in close proximity to the dune edge and deemed it to be a dangerous structure (as defined in legislation). Subsequently, FCC issued an evacuation notice to the residents and has since tendered the design, risk assessment and construction supervision of the demolition of the structure. This contract is to be awarded imminently and works will commence shortly thereafter.

Barnhill LAP

The draft Barnhill Local Area Plan (LAP) will go out on public consultation for a period of 6 weeks from 23rd October 2018, having been presented to the Area Committee. The LAP lands provide for approximately 1,000 residential units, a school reservation, a local centre and access to the Hansfield train station from the south. Provision will be made for both active and passive open

space within the lands. A new road will be required to bridge the Dunboyne-Pace spur of the main Maynooth railway line to provide connectivity to/from Hansfield and Ongar to the north. Phasing for the required infrastructure will be included in the LAP to ensure timely delivery in line with residential development.

Rush Rural Regeneration and Development Fund

PSI is seeking funding under the Rural Regeneration and Development Fund (RRDF) (Category 2) for the preparation of a Public Realm Strategy for Rush town centre. As part of Project Ireland 2040, the Government has committed to providing an additional €1billion, over the period 2019 to 2027, to deliver investment to support rural renewal for towns and villages with a population of less than 10,000, and outlying areas.

Funding for the detailed design and costings of public realm improvements on Main Street in Rush is being sought. The resulting strategy will detail future works and costs and aims to tie disparate elements together in an effort to improve and enhance the Main Street environment. It will also promote business and tourism in the area, in line with the stated aims and objectives contained within the recently adopted Rush Urban Framework Plan (UFP). Rush Community Council has been part of significant on-going engagement during the preparation of the Rush UFP.

Swords Urban Regeneration and Development Fund

In response to the DHPLG's call for applications under URDF, PSI has submitted a Category B proposal for 'Sustainable Swords'. This will be a place-making strategy and coordinating device, including for the design development of projects enabling the delivery of a package of measures ('pipeline') to expand the transformational impact of the Swords Cultural Quarter (SCQ) project within the wider town centre. This first round call

for proposals closed on Friday 28th September. Category B proposals will be assessed and, if considered appropriate for further consideration, will be approved in principle before the end of 2018. The URDF has a total allocation of €2 billion to 2027.

Donabate Distributor Road

Work on the Donabate Distributor Road is ongoing, with substantial parts of the drainage network, earthworks and road foundations now in place. Works will be commencing shortly on one of the most visible elements of the scheme, the new bridge over the Dublin-Belfast railway. The abutments that will support either end of the bridge will begin to rise up on both sides of the railway line over the coming weeks.

Building Control/Taking in Charge

Modern Methods of Construction - Traditional build is still on the decline with timber frame the most popular method of construction in Fingal (more than 50% of new builds). Both precast concrete and Insitu Concrete Formwork are increasing in popularity. Modular steel frame build has had a lesser impact in Fingal, most likely due to the lack of production facilities.

Taking in Charge of Legacy Developments

Works are advanced on the establishment of frameworks of service providers related to site resolution on developments, which FCC plans to progress to the Taking in Charge Statutory process. This may involve the sequestering of bonds and management of works contracts, as appropriate.

DEVELOPMENT MANAGEMENT/FORWARD PLANNING (WATER SERVICES)

Pre-planning consultations

During August, Forward Planning (Water Services) has engaged with more than 17 developers at pre-planning stage to discuss issues related to the

provision of water services, and to ensure the implementation of sustainable drainage systems on site.

Flood Risk Assessments and Drainage Strategies to inform LAPs

Procurement - FCC established a framework of consultants to prepare Surface Water Management Plans (including drainage strategies and flood risk assessments) in July 2018. Kinsealy LAP will be used as the starting contract. This framework will be used to inform LAPs throughout 2018 and beyond.

Management - Staff are currently managing the tendering and preparation of the surface water management plans to inform Barnhill LAP, Dublin Airport LAP, Kinsealy LAP, Castlelands LAP and Swords masterplan.

HOUSING AND COMMUNITY (H&C)

Contents

Housing

Joint Oireachtas Committee
Pillars I-V
Housing Support

Community

Arts
Sports
Libraries

HOUSING STRATEGY 2020/REBUILDING IRELAND

The Council has delivered 3,464 homes since the start of the Housing Strategy 2020/ReBuilding Ireland. These have been delivered across the various mechanisms and do not include units approved for delivery.

Joint Oireachtas Committee

The Director of Housing, Ms Margaret Geraghty, along with Senior Executive Officer Mary Egan presented a report entitled 'Funding and Delivery of Public Housing under Rebuilding Ireland' to the Joint Oireachtas Committee on Housing, Planning, Community and Local Government on 25th September. The Committee was informed of the substantial progress being made by the local authority as it tackles the housing crisis. The report outlined that the social housing needs of more than 3,400 families have been met since the introduction of the Social Housing Strategy in 2015 and that FCC has exceeded its target for delivery by 62 per cent during the period. The target for 2018 is 1,637 homes, the second highest in the country, and higher than the target set for the previous three years. FCC are on track to meet this target.

Pillar 1: Address Homelessness

FCC is currently in contact with approximately 577 families who are in homeless circumstances or at risk of homelessness. 293 families have had their homeless circumstances alleviated to date in 2018 (including 203 Homeless HAP tenancies), with further tenancy arrangements to conclude shortly

through the various forms of social housing support.

Tenancy Support is provided through supports such as 'Support to Live Independently', amongst other supports designed to ensure new tenancies are sustained. Homeless Prevention advice continues to be offered through the Council's Homeless Team in partnership with Threshold Clinics and the Threshold Freephone service.

Housing Assistance Payment

673 Homeless HAP tenancies have put in place since the Dublin Region HAP Pilot scheme came into effect in 2015. In addition, 620 mainstream HAP tenancies have been put in place in the year to date.

A total of 1,104 tenancies are now in place under mainstream HAP with further tenancy arrangements in the process of being finalised.

Pillar 2: Accelerate Social Housing

Construction Programme

The current position with the construction programme is set out below.

| | No. Schemes | No. Units |
|------------------------------|-------------|-----------|
| Delivered to Date | 6 | 133 |
| Contractor on Site/Appointed | 9 | 177 |
| Tender Stage | 4 | 99 |
| Pre-Planning Approval | 11 | 469 |
| Total Construction | 24 | 745 |

Masterplan/Land Management Plan sites are not included in the above figures.

Acquisitions Programme

Delivered to Date: 382 (*88 properties closed in 2018*)

Pending Sales Closing: 58

Enhanced Long Term Social Housing Leasing Scheme

The main features of the scheme, which launched in January, are the:

- Targeting of newly built or yet to be built houses and apartments for leasing;
- Targeting of property developers and investors who are in a position to deliver housing at reasonable scale; and
- Provision for 25 year lease terms that require the property owner to provide day-to-day maintenance of the properties under a schedule of management services.

The Housing Agency is leading the scheme on behalf of DHPLG. Following a first call for proposals, a small number of submissions were received. Despite interest in some of the proposals by FCC, the developers chose not to proceed. On 3rd August, the Housing Agency issued a second call for proposals which will close on 25th October 2018.

Further details of the scheme are available at: <https://www.housingagency.ie/News/Current-News/Enhanced-Long-Term-Social-Housing-Leasing-Scheme.aspx>

Repair and Leasing Scheme & Buy and Renew

The Repair and Leasing Scheme and the Buy and Renew schemes target vacant private properties in the County. Both schemes provide initiatives for the owners that encourage their use for social housing by the Council. FCC is interested in discussing leasing and purchasing options with owners of these long-term vacant or derelict properties.

Part V

Activity in this area has increased with the upturn in construction and early on-site delivery of units is the approach taken in Part V negotiations with developers.

Reporting on Part V agreements is provided quarterly to the Area Committees. A total of 147 Part V housing units have been delivered over the period of the strategy to date.

Approved Housing Bodies

FCC continues to work closely with Approved Housing Bodies (AHBs) who are continuing to play an important role in the delivery of social housing in the County. The Council facilitates AHBs in the management of funding applications to the Capital Assistance Scheme and Capital Advance Leasing Facility Scheme.

Traveller Accommodation Programme

Collinstown Park:

The Council has been served with Notice of Intention to seek a Judicial Review of the decision to develop a 7 Bay site at Coolquay, The Ward.

Pillar 3: Build More Homes

Ballymastone, Donabate

The development of the strategic land bank at Ballymastone, Donabate is focused on delivering a successful and sustainable community through the provision of a mixed tenure residential development, physical and social infrastructure, as well as improving connections between the new and existing communities. The tender process is to commence in October 2018 with a contract award anticipated before year end 2019. The development must meet the requirements of urban design and phasing as set out in the Donabate Local Area Plan 2016 – 2022, and supporting infrastructure must be delivered.

Information sessions for Councillors are ongoing as the project progresses.

Church Fields, Dublin 15

The Land Management Plan for the Church Field lands has been developed. It provides the optimal layout and future sustainable development of the lands and provided for a mixed tenure residential development with associated community facilities. Approaches to housing delivery on the strategic land bank are being examined, with the Project Talamh Programme Office conducting economic and financial modelling and analysis. In the meantime, an initial phase of the housing development of Church Fields was presented to the local Councillors on 4th October and is now proceeding to a Part 8 process. A submission has been made for funding under the Serviced Sites Fund and this will enable the delivery of key road and green infrastructure to facilitate the development of the site.

Serviced Sites Fund

The Serviced Sites Fund provides for enabling infrastructure to facilitate the delivery of affordable homes on local authority and Housing Agency sites. FCC submitted proposals totalling €18.25m under the fund and these will enable the delivery of social, affordable purchase and affordable rental homes at scale on four strategically located sites in the county;

- Church Fields
- Dun Emer, Lusk
- Hackettstown, Skerries
- Cappagh, Dublin 11

Land Development Agency

The recently established Land Development Agency (LDA) has identified two land banks in Fingal which it proposes to focus on immediately in order to unlock their potential combined yield of over 1,000 homes. The sites are:

- Castlelands, Balbriggan
- Hackettstown, Skerries

These sites are in the Land Aggregation Scheme and currently in the ownership of the Housing Agency. FCC has been working with the LDA and the Housing Agency to bring these two sites forward for development. Both these sites require infrastructure investment to deliver the potential housing envisaged.

Staff of the Housing Department are available to meet with developers who are building across the county with a view to exploring opportunities to bring forward proposals to increase the supply of social housing.

Pillar 4: Improve the Rental Sector

The total number of Rental Accommodation Scheme (RAS) and Long-Term Lease (LTL) tenancies is 823, broken down as:

| | |
|------|-----|
| RAS: | 671 |
| LTL: | 152 |

Rebuilding Ireland Home Loan

The new loan was launched on February 1st and, for those eligible, offers three different loan products. Several applications have proceeded through all the various stages. At the date of drafting, 28 families are now present in their own property, with another eleven to become owners in the next two weeks. A consistent inflow of applications continues, with 12 per week, and continued telephone inquiries every day.

Further details and application forms available on www.rebuildingirelandhomeloan.ie

Statistics on loan applications

| | |
|---|--------------|
| Number of applications | 361 |
| Number approved | 154 |
| Number declined | 135 |
| Being processed | 72 |
| Fingal applications in context of region | 40% |
| The value of the loans approved so far | €34 million |
| Number of applications at Sale Agreed stage | 97 |
| Number where loan has drawn down | 28 |
| The value of the loans drawn down so far | €6.1 million |

Vacant Homes Strategy

The vacant homes officer has completed a desktop survey and information gathering on 149 properties that were identified as potentially vacant properties. This work consisted of sourcing the registered property owner details, contacting financial institutions if applicable, conduct site visits and opening negotiations with owners. Since 2017, FCC has purchase 24 units under the Buy and Renew scheme and, of these, five units have been refurbished and allocated to families. Repairs are underway on the remaining 19 units. There have been three leasing agreements signed under Repair and Lease. Of these, one unit has been refurbished and allocated with repairs ongoing on the remaining two.

Five units have been identified as suitable for Compulsory Purchase Order (CPO). The necessary documentation has been prepared and is currently under review in the council's law department. There are a number of other units that are currently under consideration for CPO.

The Vacant Homes Unit is working with a number of agencies to successfully re-activate vacant homes. This includes financial institutions, the Housing Agency, residents associations and also utilising internal Fingal resources including our references and derelict sites sections. A cross-departmental working group has been setup to share information across a number of areas, including vacant homes. A vacant homes seminar is planned for the 17th of October 2018 hosted by

the DHPLG where information and experience to date will be shared across all local authorities.

A publicity campaign in consultation with the Communications Unit to encourage both reporting of vacant homes and the options available to homeowners is in the pipeline and is expected to launch in Q4 2018.

Pillar 5: Utilise Existing Housing

Voids

There were 49 casual voids within the social housing stock at the end of September 2018. A significant number of dwellings (12) came back into stock during the month as a result of tenancy management initiatives. Of the total number of void dwellings, 15 are complete and are being offered for letting. Work is underway to 20 dwellings and the balance is with the County Architect for the procurement of pre-let repairs.

Windows and Doors / Cyclical Maintenance

The 'Windows and Doors Replacement Programme' is continuing in Dromheath and Sheepmore estates in Dublin 15.

The 'Cyclical Maintenance' Programme 2018 is nearing completion in the Whitestown estate. Contractors have moved into the Sheephill estate and works are well underway.

Housing Support

Housing List Positions

Applicants for housing support were notified of their list positions during the first week of October.

COMMUNITY, CULTURE & SPORTS

COMMUNITY

Official launch of the Community & Sports Office, Balbriggan

On Monday 15th October the new Community and Sports Office in Balbriggan will be officially launched by Deputy Mayor Cllr. Gráinne Maguire. The launch will recognise the creation of a new office in which two staff members - a Community Development Officer and a Community Sports Development Officer - will be based. The funding application for the Community Sports Development Officer and the Balbriggan Community Sports Hub was made on behalf of the Flemington Local Development Group, a multi-agency body which has been working at a local level for the improvement of the town over the past four years. The new office, which is located in the Flemington Community Centre, will increase access to, and visibility of, the staff in the local area. The geographical remit includes the town of Balbriggan and this will result in a greater number and range of initiatives – both in community development and community sport – over the coming years.

Flemington Community Research

A community research project is currently underway in the Flemington area of Balbriggan. The research was commissioned by the multi-agency Flemington Local Development Group, which is convened by the Community Development Office (CDO) of FCC. A consortium that includes Dr. Marianna Prontera (Cairde), Dr. Lucy Michaels (University of Ulster), Balbriggan Integration Forum and ENAR (European Network Against Racism) is leading the research and a 'participatory action research' model is being adopted for the project. This involves training ten residents from the local area who have devised the research questions and who are conducting the research. This particular methodology is very empowering for the local people and is a

departure from more traditional research projects where external expert researchers 'come in' to a community to research it. The ten residents are from a range of ethnic backgrounds thus ensuring strong diversity in the research. Some areas being focused on include:

- Housing and Accommodation
- Training and Education
- Employment
- Health
- Awareness of Local Services
- Transport
- Money
- Neighbourhood Quality
- Policing
- Diversity
- Discrimination

A final report on the research is due in December 2018.

Fingal Comhairle na nÓg

Fingal Comhairle na nÓg will launch their short film '*Perfect Imperfections*' in the Atrium, County Hall on the 9th October. The title of the film, and its topic of mental health and male body image, was identified as being significant by the attendees of the Fingal Comhairle na nÓg AGM in 2016. The project has been two years in the making and highlights how body image can impact on young men's mental health. It will be distributed across Fingal and promoted at the national Comhairle showcase event in November. Fingal Comhairle na nÓg has worked with film maker Gerard Walsh to produce this piece of work which was filmed on location in Fingal.



The Comhairle na nÓg AGM will take place in the Carnegie Court Hotel Swords on the 18th October. Every secondary school in Fingal will be invited to bring five delegates. There will be a focus on engaging with the hard to reach young people through the youth organisations and disability networks.



Fingal County Council's Integration and Social Cohesion Strategy

The CDO has been tasked with developing FCC's *Integration and Social Cohesion Strategy* which will commence with a consultation process with community groups and service providers between September and December 2018. Three group structures have been established to assist in developing the Strategy:

An Expert Advisory Group comprising of experts in the area of integration, those working with migrants and those who have developed similar strategies. The group is chaired by John Cunningham, former CEO of the Immigrant Council of Ireland. The first meeting of this group took place on Monday 17th September 2018.

An internal working group, comprising of staff from all departments in the Council, has met on two occasions and have undertaken a short training course in the Institute of Technology Blanchardstown (ITB).

A Community Integration Advisory Council has also been set up, comprising of representatives from community groups registered with the

Public Participation Network and the Fingal Ethnic Network. The members self-selected following a number of public consultations during the summer months. There are currently 29 members on this group and the first meeting was held in August with a facilitated session to assist in developing the group in September.

The research process is being led by Dr. Brid Ní Chonail, ITB, and will commence in early October 2018 with staff and public consultations. These will consist of focus groups with frontline staff and a survey for all staff to complete. It is anticipated that the consultation process will conclude at the end of December 2018, followed by analysis of the data and the development of an action plan. It is hoped to launch the Strategy in the second quarter of 2019.

Ongar Community Day

Ongar Community Day took place on September 9th. Local groups and agencies showcased their services and the Ongar Development Group and Fingal Community Office carried out a community survey. Over 90 people responded giving their views on community safety and integration in Ongar.



Fingal Age Friendly Programme

The Mayor of Fingal, Councillor Anthony Lavin, launched Fingal ACORN Project in the Council Chamber, Swords on 26 September. This six month pilot project initiative is being led by members of the Fingal Senior Citizens Forum in partnership with the FCC CDO, Fingal Age Friendly Alliance and ICT partner Cliffmun Media. The pilot is the first of three pilots being undertaken by local authorities in Ireland. It provides an

opportunity for Fingal Senior Citizens to take an active role in the development and creation of an ICT solution which is tailored specifically by seniors, for seniors.



Fingal Creative Ireland Programme

An Taoiseach Leo Varadkar was joined by Minister for Culture, Heritage and the Gaeltacht Josepha Madigan and Minister for Housing, Planning and Local Government Eoghan Murphy on Wednesday 12th September 2018, for the launch of Fingal's Culture and Creativity Strategy 2018 – 2022.

Date for your diary: The launch of the Fingal Strategy will take place on **Thursday 1st November 2018 at 7pm**, in The Atrium, County Hall, Swords. Invitations are to follow.

historic houses in Fingal extended their opening hours to the public, highlighting a variety of local talent and fantastic cultural facilities. There were over 40 events including music, theatre, exhibitions, films, tours and talks specifically programmed in 15 participating venues this year. Additional venues taking part in Culture Night Fingal this year included Dublin Airport, the Millbank Theatre, Jordan Fine Arts and Skerries Mills.

In addition Swords Castle, Draíocht Arts Centre, The Séamus Ennis Arts Centre, Ardgillan Castle, Malahide Castle & Gardens, Newbridge House & Gardens, Blanchardstown & Swords Library, Malahide Parish Centre and DIAS Dunsink Observatory opened their doors until late with free events, workshops, tours, talks & performances.



Resort Revelations

An annual public art residency and event programme at Lynders Mobile Park, Portrane was launched on the 7th of September. The evening began with a performance by artist Jessica Foley who performed a poem written about her experience of the area to over 100 guests on the beach at Lynders. Visitors could explore the other exhibits located all over the park including new painting work by Ciaran Murphy, sculpture by Marie Farrington, Mark Cullen, Gillian Lawler and Wendy Judge all inspired by Portrane and the residency itself. A set of be-spoke limited edition



ARTS OFFICE

Culture Night Fingal

The Arts Office presented a programme of free events which took place in various locations in Fingal to celebrate Culture Night 2018. Culture Night took place on the 21st September and is an annual national public event celebrating culture, creativity and the arts. On the night, arts and cultural organisations, churches, castles and

playing cards were introduced, with a whist game initiated by the local community. The cards were produced as part of Bennie Reilly's Souvenirs of Portrane whose work was inspired by the Cabinet of Curiosities in Newbridge House, where some of her work was located. The programme continued for the week with a series of workshops and tours featuring Bennie Reilly's work at Newbridge which were free. All visitors to the workshops, events and launch received the beautiful card decks featuring her work.



SPORTS OFFICE

Exercise: Energise Multi Sport day –

The National Indoor Arena, Abbottstown, was the location for the *Exercise: Energise* multi-sports day on the 25th September 2018. 270 teenage girls from across Fingal took part on the day and tried out gymnastics, zumba, circuit training, and track and field athletics.

These students are all participants in the *Exercise: Energise* sports programme targeting first and second year girls. The *Exercise: Energise* programme will be run in ten post-primary schools in Fingal in the coming school year and aims to provide opportunities for inactive teenage girls to become involved in sports and physical

activities. Councillor Kieran Dennison represented the Mayor at the event.



Primary School Athletics

Now that the schools are back in full swing we have commenced our autumn programme in schools. One of the highlights is the Primary Schools Athletics League. On the 25th September, over 700 keen young athletes from 20 schools ran for their schools in Porterstown Park and on Thursday 27th, 27 schools (in excess of 1500 students) ran in Newbridge Demesne



Youth Sports (Small Grants) Scheme

Application forms for the Youth Sports Scheme have been circulated to Sports Clubs, in tandem with advertisements in the local press. Additionally, soft copies of the forms have been forwarded to all Councillors. The closing date is cob Friday 19th October.

LIBRARIES

Fingal Libraries secure €711k funding to invest in ICT and Digital Services

Fingal Libraries has secured a major funding boost of €711,000 to upgrade and improve ICT and digital services throughout its network. This is a key strategic aim of Libraries' recently published Development Plan which will be rolled out over the next five years.

Minister for Rural and Community Development Michael Ring, has approved an €8 million investment for libraries nationwide, with approximately €6 million funded by the Department and a further €2 million contribution from Local Authorities.

The funding includes the provision of iPads / tablets / smart devices for public use in libraries, computers and workstations, meeting space technology, podcasting equipment, LCD screens, interactive whiteboards, digital training suites and maker space equipment.

Secondary Schools programme 2018 /2019

Fingal Libraries is welcoming back our local secondary schools with a full programme of outreach events for the 2018/19 school year.

This programme seeks to support the secondary school curriculum, as well as, engaging with young adults and their teachers. Each secondary school in Fingal will receive a brochure detailing these events which range from STEM workshops, authors visits and creative writing workshops to Leaving Cert Shakespeare and Art Appreciation Workshops.

We are delighted to provide these workshops for free, courtesy of funding from Fingal and Science Foundation Ireland.

Comhairle Contae Fhine Gall
Fingal County Council



Clár Meánscoile Leabharlanna Fhine Gall 2018/19

Fingal Libraries Secondary School Programme 2018/19



STEM-CON – Inspiring the Next Generation

On 10 October Fingal libraries will host a conference, "STEM-CON – Inspiring the Next Generation", in the Castleknock Hotel. The conference aims to give attendees an insight into the experiences of a diverse group of people who have pursued STEM related careers. The target groups are first, second and transition year students, and members of the public. This event is now fully booked with several schools on the waiting list.



Battle of the Book 2019

Mayor of Fingal Cllr. Anthony Lavin launched the Battle of the Book 2019 at St Colmcille's GNS, Swords on 24th September. The Battle of the Book is a reading programme involving six primary schools within the Fingal area, which is kindly supported by the Dublin Airport Authority (DAA).

The programme is designed to provide a shared reading experience for children, by encouraging them to read particular titles and instil in them a lifelong habit of reading for pleasure. The selected titles are "The Book of Learning" by E.R Murray and "Arthur Quinn and the World Serpent" by Alan Early. The children will participate in different activities organised by Fingal Libraries surrounding the themes presented in the books. This year the schools involved are St Colmcille's GNS Swords, Powerstown Educate Together Tyrrellstown, St Patrick's Senior NS Corduff, Rush NS, Garristown NS and St Nicholas of Myra NS, Kinsealy.



Launch of Battle of the Book 2019

Children's Book Festival

Fingal Libraries has an exciting programme of events and author visits scheduled throughout the month of October for this year's Children's Book Festival. Young readers, looking for a new book to delve into are invited to attend 'Book Clinics' in Malahide and Balbriggan Libraries for an informal consultation with one of Children's

Books Ireland's friendly 'Book Doctors'. Booster Cushion Theatre will present their popular puppet performance, The Old McDonald Show at Blanchardstown Library. Children can also explore the many shared traditions between Ireland and Scotland in a story-telling workshop with Fred Freeman. Authors who will visit Fingal Library branches during the month of October include Gary Ward, Ray Flannery, Alan Nolan, Sadhbh Devlin, Amanda Bell and Claire Hennessy.

Culture Night at Blanchardstown and Swords Libraries

Described by one borrower as a 'community event at its best', Culture Night at Blanchardstown Library proved bigger and better than ever before, with an estimated footfall of almost 2,000 people throughout the day - an increase of over 600 on the daily average.

More than 400 filled Summer Stars cards were returned during the summer, meaning that the 320 young readers flew through a combined total of 3,200 books, definitely earning their medals and certificates! Raffle winners were also presented with their prizes before everyone settled in to watch the hilarious antics of Reuben the Entertainer. Meanwhile, the library floor was a hive of activity, as the talented members of Blanchardstown Guild ICA, as well as the Irish Lego User Group, set up their different, but equally impressive exhibits.

At 7pm, it was the turn of the Blanchardstown Brass Band to take to the floor, and they provided a varied soundtrack to the evening; covering everything from musical theatre, to jazz; and from ABBA to Louis Armstrong. Finally, trad trio Strings and Things brought the evening to a lively close with jigs, reels, hornpipes, and some well-known Irish airs that had the audience singing along.

Meanwhile at Swords Library on Culture Night, there was a great turn out for the Wicklow Willow workshop, at which participants learnt about the

ancient traditional crafts of willow wattling, fencing and basketry. This was followed by a presentation of certificates and prizes to the children who took part in the Fingal Libraries Summer Stars reading programme. The evening concluded with a performance by the Fingal Youth Choir, one of Ireland's leading youth choirs.

Fingal Festival of History 2018

A photocall with the Mayor of Fingal, Cllr. Anthony Lavin, took place at Swords Castle, on Monday 3rd September to launch the programme for the Fingal Festival of History. The second annual Fingal Festival of History, a week of talks and events organised by Fingal Libraries, took place from Saturday 22nd – Saturday 29th September. It featured an interesting mix of local, national and international topics, covering the Irish revolutionary period, women's rights, World War I and Irish art.

Write Time Festival 2018

A photocall with the Mayor of Fingal Cllr. Anthony Lavin took place at Baldoyle Library on Monday 27th August to launch the programme for the Write Time Festival. The third annual Write Time Festival organised by Fingal Libraries celebrates the written and spoken word in Fingal. Library branches hosted workshops and talks throughout the month of September which sparked the imagination and inspired creativity among the attendees.

Blanchardstown Library Europe Direct Information Centre events

Following the great success of the pilot programme in spring, the Young Entrepreneurs Club for 20 participants will start again on 4th October. This eleven week course aims to foster an interest in business and innovation in young people and develop relevant entrepreneurial

skills. The participants will be 11/12 years olds from 5th/6th class in local primary schools. This programme is run in conjunction with the Work Matters service at Blanchardstown library

A project marking European Year of Cultural Heritage will start at Blanchardstown Library on Monday 8th October. Each week there will be a focus on stories and story-telling from a different European country. The aim is (a) for the children to experience the rich variety of stories we share across Europe and (b) to encourage the children to find stories they like from their own background and to tell them with confidence.

On 4th October, EURES (European Jobs Network) will host an information fair at Blanchardstown Library from 10am until 12pm. The event is aimed at people interested in working in another European Union country.

Other events in Libraries

- The Road Safety Authority will visit Balbriggan Library as part of Road Safety Week on 15th October. The RSA will meet with a class from a local school to teach road safety and how to cross the road safely.
- Regular clubs/groups have reconvened in Baldoyle Library after the summer break. This includes two book clubs (Baldoyle Bookies and Baldoyle Readers), the Crafters, the Thursday Club, Cuidiu, St Michael's House and the U3A.
- A sewing tutorial with local designer Maria Pantel will take place at Howth Library on Thursday 18th October from 10.30am to 11.30am.
- Rush Library will have Halloween Arts and Crafts sessions on Wednesday 31st October and Thursday 1st November at 3pm.

ENVIRONMENT & WATER SERVICES (EWS)

| Contents | |
|--|---|
| Environment Cleaner Communities Green Schools Balleally Landfill Projects Litter Management | Dublin Airport & Fingal Draft Noise Plans CCPC Report Water Services Operations |

ENVIRONMENT

Cleaner Communities

The annual Cleaner Communities Awards were held in the Grand Hotel, Malahide on Wednesday 19th September. This year there were 76 entries across 17 different categories, ranging from Best Front Garden to the Best Example of a Special Climate Change Project. The Overall Winner on the night was awarded to Blakestown Drive Community Group for their environmental initiatives; including tree planting events, turning dumping and graffiti hotspots into award winning showpiece nature strips, and their many educational projects, such as 'Making Good Use of Bad Rubbish'.



CE of Fingal Paul Reid and Mayor of Fingal Cllr. Anthony Lavin with Maria Tormey and Carmel Troy

Green Schools

Contact was made with the 140 green schools in Fingal, working on various environmental themes. In Fingal, 90% of all schools have now earned at least one Green Flag. The work done in the

schools has many benefits including reduced waste output, reducing litter, energy consumption, water usage and an opportunity to involve the local community. The positive impacts gained in the schools benefits the whole community. Green school seminars for teachers have been arranged for the 10th of October in County Hall.

Balleally Landfill - Surface Water Project

Works commenced on 17th September last on the construction of a surface water scheme intended to solve a recurring flooding problem at the site entrance to the former Balleally Landfill. The works are expected to be complete by late January 2019 and will incorporate the provision of a parking area at the existing administration site offices as a prelude to the opening of the proposed public park. The works also necessitate the temporary closure of a section of Balleally Lane for a 4-week period until the end of October, details of which can be found at: <https://consult.fingal.ie/en/consultation/temporary-closure-balleally-lane-11180-lusk-co-dublin>.



Litter Management

A total of 54 fines were issued in September. Of these, 33 were issued in the Balbriggan/Swords Local Electoral Area (LEA), three in the Howth/Malahide LEA and 18 in Castleknock/Mulhuddart. Of these fines, 14 were for general littering offences, 38 were for CCTV related offences and one was for dog fouling. The remainder were for various offences set out in the Litter Pollution Acts.

19 Warning Notices were issued in September.

Dublin Airport & Fingal Draft Noise Plans

Public Information events are being held as follows:

- County Hall, Swords - Monday 15th October, 4.00 - 7.00 pm
- Civic Offices, Blanchardstown - Tuesday 9th October, 4.00 - 7.00 pm

Please note that the Information Session in Swords will now take place a week later than previously advertised.

CCPC Report on the Operation of the Household Waste Collection Market

On the 28th September, the Competition and Consumer Protection Commission (CCPC) published its report assessing the household waste collection market. The CCPC was asked to conduct this report following a Dáil debate and subsequent ministerial request under Section 10 (4) of the Competition and Consumer Protection Act 2014.

The CCPC's report examines the market from a competition, consumer protection and regulatory perspective. The report examines the current structure and the evolution of the waste collection market, the economic theory behind utility markets, and compares Ireland's market against that of other European countries. It makes recommendations as to the steps that could be

taken to ensure that the market delivers the best outcomes for the State, consumers and operators. The full report is available at:-

<https://www.ccpc.ie/business/wp-content/uploads/sites/3/2018/09/The-Operation-of-the-Household-Waste-Collection-Market.pdf>

WATER SERVICES

Operations

Water and Drainage Services continue to be provided as agreed in the Service Level Agreement with Irish Water.

CORPORATE AFFAIRS AND GOVERNANCE (CAG)

Contents

Presidential Candidates visit
Building of the Year Awards
Fingal Raven – Autumn 2018

Smart Dublin SBIR Launch
Lá na Gaeilge

CORPORATE AFFAIRS

Presidential hopefuls address Council

Two potential presidential candidates, Senator Joan Freeman and Kevin Sharkey, addressed the elected members of FCC on 10th September, seeking a nomination to participate in the Presidential election on November 26th. Senator Freeman was nominated by the Council and subsequently received further nominations from three other local authorities. She will now contest the Presidential Election on the 26th October.

Building of the Year nomination

The County Hall Atrium, Swords, has been nominated in the *Public Buildings* category of the Building of the Year awards. The winners will be announced in early October.

Fingal Raven – Autumn 2018

The autumn edition of the Raven Staff Newsletter was published on September 20th. The front cover features Colm Rigney and David Fallon, Balbriggan Swords Operations, who explained the origins and meaning behind the newest piece of street art in Swords. Regular features such as welcoming new staff and the very popular staff competition as well as coverage of various events such as STEMfest, the An Taisce Green Flag and Pollinator Awards and the retirements of our friends and colleagues are all included in this edition. The Raven can be viewed on Grapevine and copies have been distributed to depots and are available outside staff canteens.



Smart Dublin Small Business Innovation Research Regional Launch

Fingal County Council is hosting the Smart Dublin Small Business Innovation Research (SBIR) regional launch on Thursday 11th October in the Atrium, County Hall, Swords.

Smart Dublin is an initiative of the four Dublin Local Authorities to engage with smart technology providers, researchers and citizens to solve challenges and improve city life. Small Business Innovation Research (SBIR) Ireland is the national innovation pre-commercial procurement initiative administered by Enterprise Ireland.

The challenges:

Unheard Voices - FCC and Cork City Council seek smart, low cost solutions to encourage engagement of the 'unheard voices' in decision-making about the future of their place.

Bathing Water Quality - Dun Laoghaire-Rathdown County Council and Waterford City and County Council seek low cost, innovative, technological solutions in the form of products, services, or applications to address timely identification and communication of bathing water contamination.

Smart Mobility Hubs - Dublin City Council and SEAI are looking to provide alternative, cleaner and more sustainable transportation options in both their daily commute and work day commitments through a smart mobility hub.

Internet of Things -Dun Laoghaire Rathdown County Council seeks solutions to facilitate connections over an IoT radio frequency mesh network. The challenge is about the network to allow connectivity and communications over all potential network infrastructures.

Last Mile Delivery - Dublin City Council and Belfast City Council are seeking smart, low cost solutions to optimise freight and cargo deliveries in urban centres in order to reduce the number of goods vehicles and improve air quality and noise pollution.

Companies awarded phase one funding will be announced at the event.

Lá na Gaeilge – 13 Samhain

Beidh Comhairle Contae Fhine Gall ag ceiliúradh Bliain na Gaeilge le Lá na Gaeilge ar 13 Samhain. Fingal County Council will be encouraging the use of Irish with an Irish Day on November 13th.



FINANCE

Contents

Financial Reports

Financial Reports

Refer to Appendix 1 for the following reports:-

- Revenue Account Income & expenditure to 30th September, 2018
- Capital Account Income & Expenditure to 30th September, 2018
- Summary of Corporate Debtors to 30th September, 2018

Appendix 1

| REVENUE ACCOUNT INCOME & EXPENDITURE SUMMARY BY SERVICE DIVISION at 30th September 2018 | | | | | | | | |
|---|--|--------------------|----------------------------------|------------------------------|--------------------|----------------------------------|--------------------|-------------------|
| | | EXPENDITURE | | | INCOME | | | NET |
| | | Expenditure € | Adopted Full Year Budget € | % Budget Spent to date | Income € | Adopted Full year Budget € | % Budget Raised | € |
| A | Housing & Building | 38,690,193 | 52,747,799 | 73% | 39,663,120 | 52,526,599 | 76% | -972,927 |
| B | Road Transport & Safety | 16,287,441 | 21,661,799 | 75% | 5,383,427 | 6,694,100 | 80% | 10,904,014 |
| C | Water Services | 14,437,746 | 14,894,200 | 97% | 12,219,348 | 18,586,300 | 66% | 2,218,398 |
| D | Development Management | 9,090,591 | 12,878,600 | 71% | 3,877,260 | 3,860,900 | 100% | 5,213,330 |
| E | Environmental Services | 29,632,448 | 38,283,600 | 77% | 3,106,560 | 4,129,600 | 75% | 26,525,888 |
| F | Recreation & Amenity | 23,209,981 | 31,267,902 | 74% | 1,349,350 | 1,247,100 | 108% | 21,860,631 |
| G | Agriculture, Education, Health & Welfare | 542,785 | 880,400 | 62% | 172,025 | 254,600 | 68% | 370,760 |
| H | Miscellaneous Services | 7,700,131 | 10,207,300 | 75% | 7,615,783 | 9,335,100 | 82% | 84,348 |
| J | Central Management Charge | 27,969,103 | 44,447,999 | 63% | 2,203,084 | 2,759,800 | 80% | 25,766,018 |
| LG | Local Property Tax / GPG | | | | 5,641,050 | 7,521,400 | 75% | -5,641,050 |
| RA | Rates | | | | 90,265,800 | 120,354,400 | 75% | -90,265,800 |
| | | 167,560,417 | 227,269,599 | 74% | 171,496,807 | 227,269,899 | 75% | -3,936,390 |

CAPITAL ACCOUNT
INCOME & EXPENDITURE SUMMARY BY SERVICE DIVISION TO 30/09/2018

| | Balance at 01/01/2018 | Expenditure YTD € | Income YTD € | Balance at 30/09/2018 € |
|---------------------------|--------------------------|----------------------|--------------------|----------------------------|
| A Housing & Building | -45,136,633 | 86,089,415 | -48,043,109 | -7,090,327 |
| B Road Transport & Safety | 9,240,778 | 24,607,248 | -529,829 | 33,318,197 |
| C Water Services | -11,626,869 | 1,833,124 | -1,028,284 | -10,822,029 |
| D Development Management | -52,144,982 | 14,993,854 | -25,114,239 | -62,265,367 |
| E Environmental Services | -14,037,274 | 26,357,249 | -3,341,077 | 8,978,898 |
| F Recreation & Amenity | -9,850,846 | 5,452,498 | -899,739 | -5,298,088 |
| H Miscellaneous Services | -34,409,446 | 1,297,703 | 1,605,339 | -31,506,404 |
| Total | -157,965,272 | 160,631,091 | -77,350,938 | -74,685,120 |

| SUMMARY OF CORPORATE DEBTORS TO 30/09/2018 | | | | |
|---|----------------------------------|----------------------------|---------------------|--------------------|
| | Balance at 01/01/2018 | Balance at 30/09/18 | | |
| | € | € | Current debt | > 1 Year |
| | | | € | € |
| RATES | 6,562,335 | 26,305,996 | 21,995,009 | 4,310,987 |
| LOANS | 1,229,092 | 1,285,675.99 | 356,027.52 | 929,649.47 |
| RENTS | 3,407,366 | 4,024,245 | 2,364,553 | 1,659,692 |

* For loans balance at 28 Sept 2018

Figures for rents and loans are unadjusted by credits/prepayments

APPENDIX 2

Fingal Visitor Survey 2018 (to date)

Sample 16,993

